

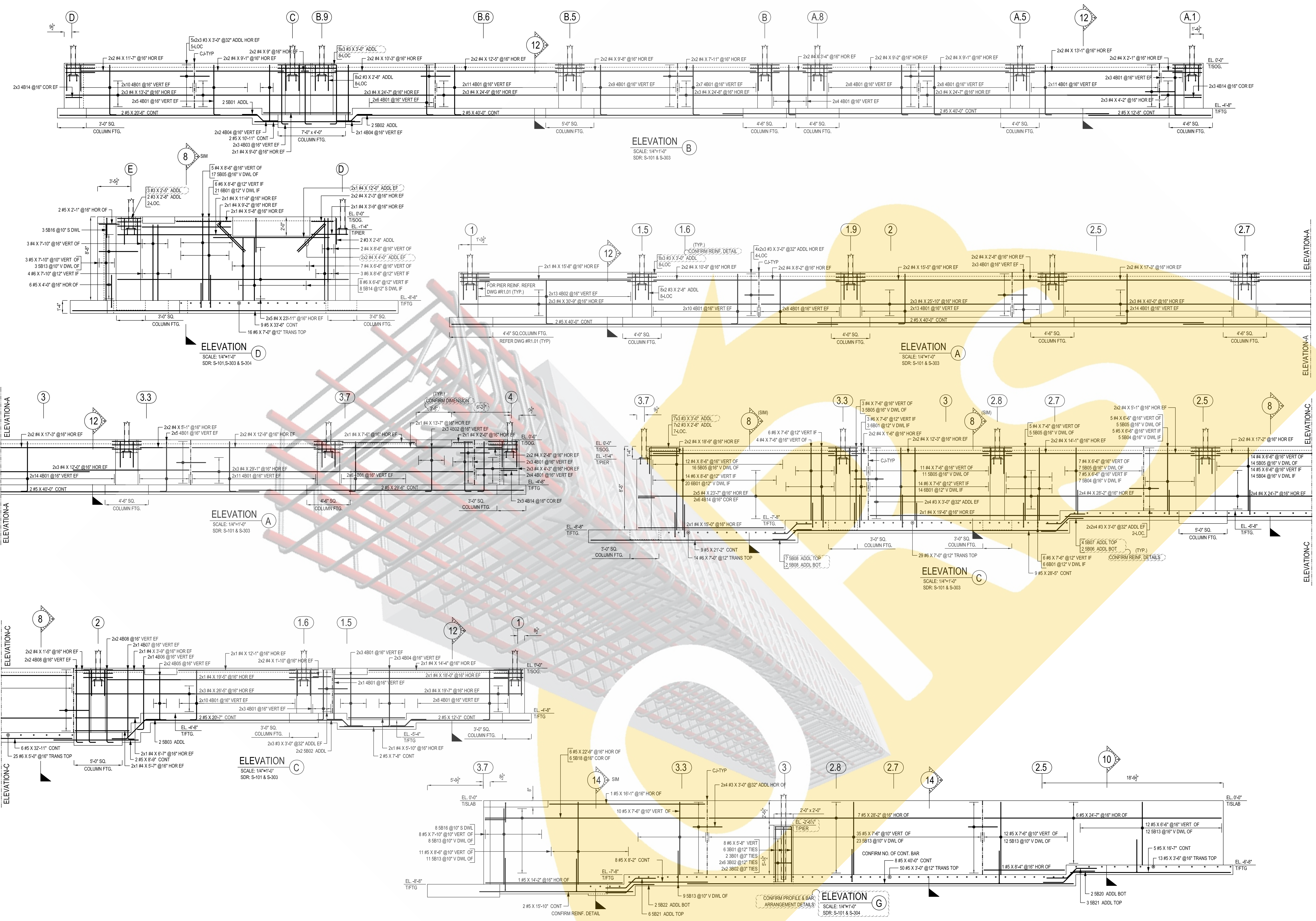
SLAB ON GRADE & CONCRETE WALL REBAR LAYOUT

SCALE: 1/8"=1'-0"
SDR: S-101

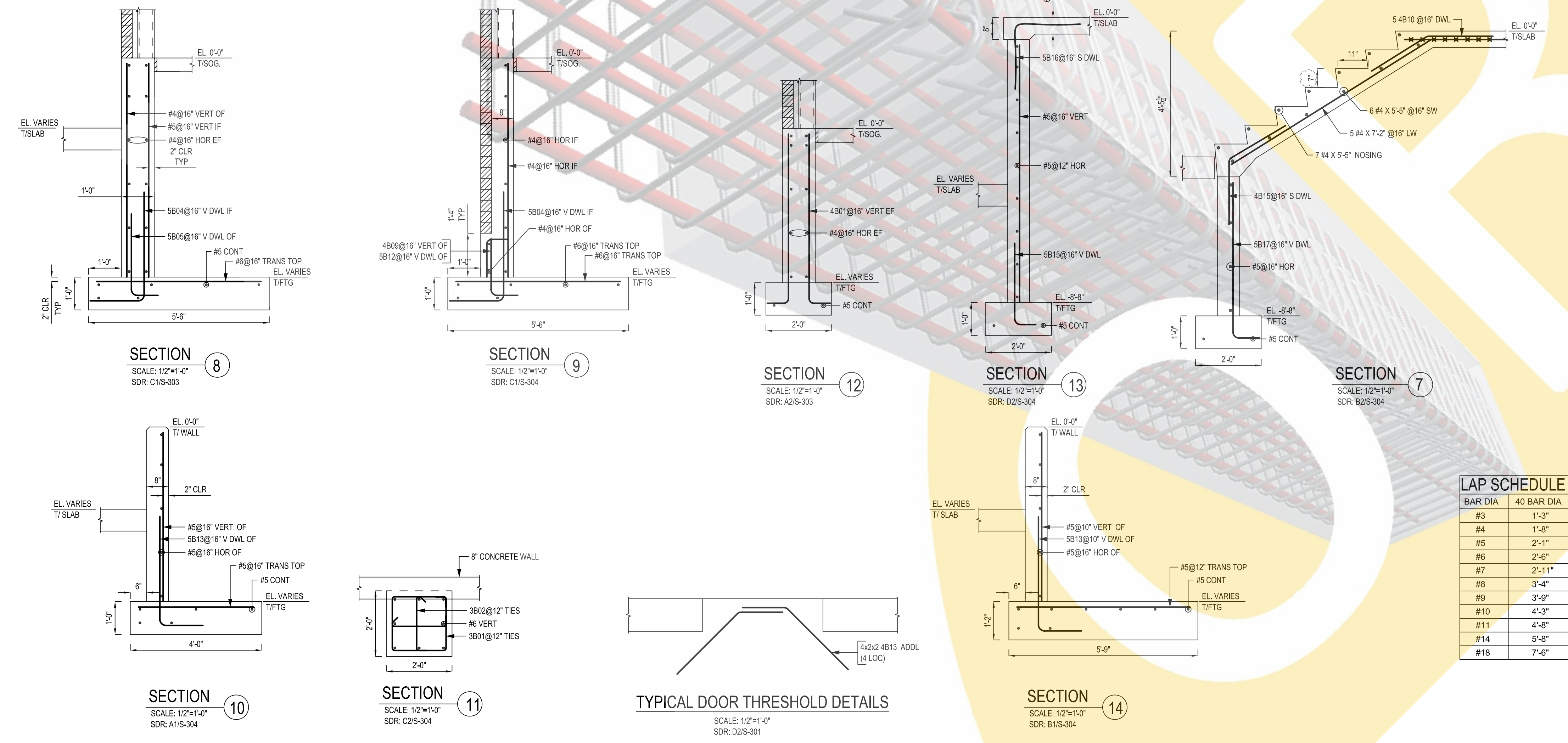
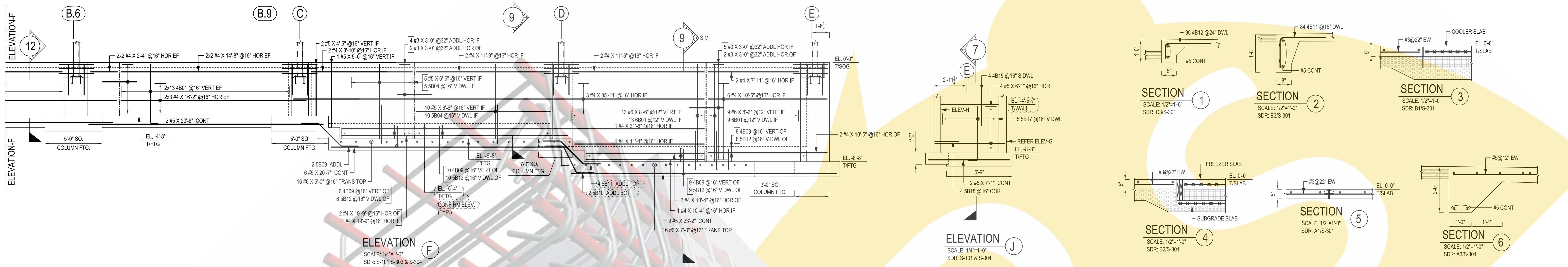
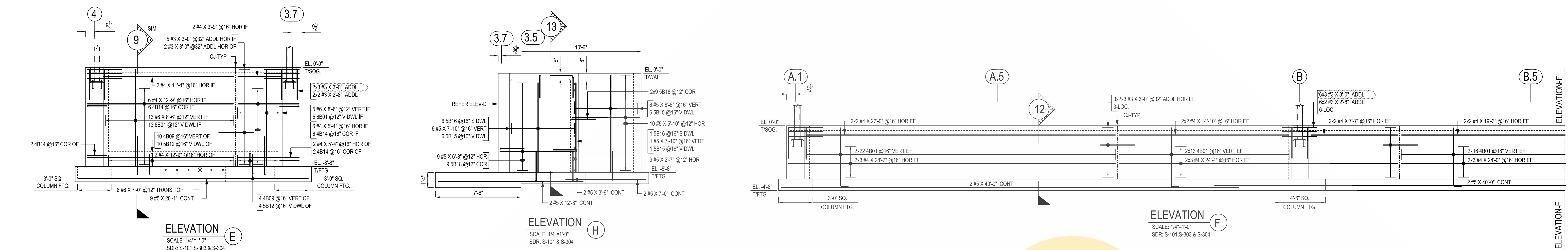


- 5" THICK COOLER SLAB
AREA = 1320 Sq.ft
MESH TYPE = w/6x6 - W 1.4xW 1.4 WWR
SHEET SIZE = 8'-0" x 20'-0"
NO OF SHEETS = 10
- 4" THICK N.W. CONCRETE SIDEWALKS
AREA = 1980 Sq.ft
MESH TYPE = w/6x6 - W 2.0xW 2.0 WWR
SHEET SIZE = 8'-0" x 20'-0"
NO OF SHEETS = 15
- 5" THICK SLAB ON GRADE
AREA = 14240 Sq.ft
415 #3 X 40'-0" @ 22" EW
FIELD CUT
- 5" & 3" THICK FREEZER SLAB
AREA = 880 Sq.ft
MESH TYPE = w/6x6 - W 1.4xW 1.4 WWR
SHEET SIZE = 8'-0" x 20'-0"
NO OF SHEETS = 7+7 = 14
- 6" THICK LANDING SLAB
AREA = 50 Sq.ft
MESH TYPE = w/6x6 - W 2.0xW 2.0 WWR
SHEET SIZE = 8'-0" x 20'-0"
NO OF SHEETS = 1

ONCE REBAR SERVICES



ONCE REBAR SERVICES



Release Number: R2.01-R2.03		BENDING DETAILS															
Bar Mark	Qty	Size	Total Length	Type	X'	Y'	Z'	W'	V'	U'	T'	S'	R'	Q'	P'	O'	
3801	8	#3	7'-4"	T2	0'-4"	1'-8"	1'-8"	1'-8"	1'-8"								
3802	16	#3	7'-4"	T9	0'-4"	1'-8"	1'-8"	1'-8"	1'-8"								
4001	524	#4	5'-10"	2	0'-8"	5'-2"											
4002	32	#4	5'-2"	2	0'-8"	4'-6"											
4003	6	#4	6'-8"	2	0'-8"	6'-1"											
4004	12	#4	6'-8"	2	0'-8"	5'-10"											
4005	4	#4	5'-2"	2	0'-8"	4'-6"											
4006	2	#4	6'-10"	2	0'-8"	6'-2"											
4007	2	#4	7'-10"	2	0'-8"	7'-2"											
4008	8	#4	8'-2"	2	0'-8"	7'-6"											
4009	47	#4	1'-10"	2	0'-8"	1'-2"											
4010	5	#4	4'-0"	3	2'-0"	2'-0"											
4011	84	#4	3'-4"	17	1'-4"	2'-0"											
4012	95	#4	2'-8"	2	0'-8"	2'-0"											
4013	16	#4	4'-0"	3	1'-4"	2'-8"											
4014	46	#4	3'-4"	17	1'-8"	1'-8"											
4015	4	#4	4'-0"	3	2'-0"	2'-0"											
5801	2	#5	3'-11 1/2"	3	1'-6 1/2"	0'-11 1/2"	1'-6 1/2"										
5802	6	#5	3'-11 1/2"	3	1'-6 1/2"	0'-11 1/2"	1'-6 1/2"										
5803	2	#5	5'-10 1/2"	3	1'-6 1/2"	2'-10"	1'-6 1/2"										
5804	41	#5	5'-0"	17	1'-8"	3'-4"	3'-4"										
5805	78	#5	3'-4"	17	0'-10"	2'-6"	2'-6"										
5806	2	#5	4'-11"	3	1'-6 1/2"	1'-10 1/2"	1'-6 1/2"										
5807	4	#5	4'-5 1/2"	3	1'-6 1/2"	1'-5 1/2"	1'-6 1/2"										
5808	9	#5	4'-5 1/2"	3	1'-6 1/2"	1'-5 1/2"	1'-6 1/2"										
5809	2	#5	5'-10"	3	1'-6 1/2"	2'-10"	1'-6 1/2"										
5810	2	#5	5'-7 1/2"	3	1'-6 1/2"	2'-7 1/2"	1'-6 1/2"										
5811	4	#5	5'-10 1/2"	3	1'-6 1/2"	2'-10"	1'-6 1/2"										
5812	47	#5	2'-7"	17	0'-10"	1'-9"	1'-9"										
5813	78	#5	4'-8"	17	1'-4"	3'-4"	3'-4"										
5814	8	#5	6'-2"	17	2'-8"	3'-6"	3'-6"										
5815	13	#5	3'-2"	17	0'-8"	2'-6"	2'-6"										
5816	18	#5	4'-0"	17	2'-0"	2'-0"	2'-0"										
5817	5	#5	5'-7"	2	0'-10"	4'-9"	4'-9"										
5818	45	#5	4'-2"	17	2'-1"	2'-1"	2'-1"										
5819	8	#5	4'-2"	3	2'-1"	2'-1"	2'-1"										
5820	2	#5	5'-10"	3	2'-1"	1'-8"	2'-1"										
5821	9	#5	5'-7 1/2"	3	2'-1"	1'-5 1/2"	2'-1"										
5822	2	#5	5'-4 1/2"	3	2'-1"	1'-2 1/2"	2'-1"										
6801	104	#6	5'-0"	17	1'-8"	3'-4"	3'-4"										

LAP SCHEDULE	
BAR DIA	40 BAR DIA
#3	1'-3"
#4	1'-8"
#5	2'-1"
#6	2'-6"
#7	2'-11"
#8	3'-4"
#9	3'-9"
#10	4'-3"
#11	4'-8"
#14	5'-8"
#18	7'-6"

